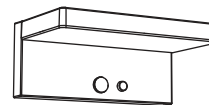
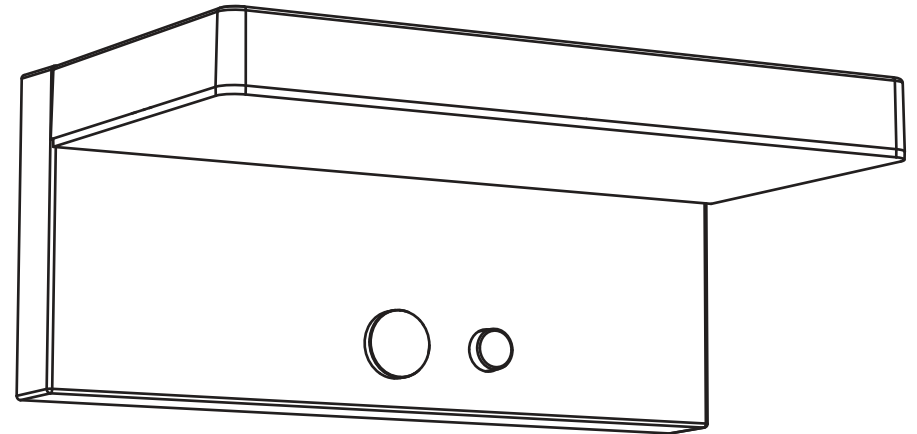
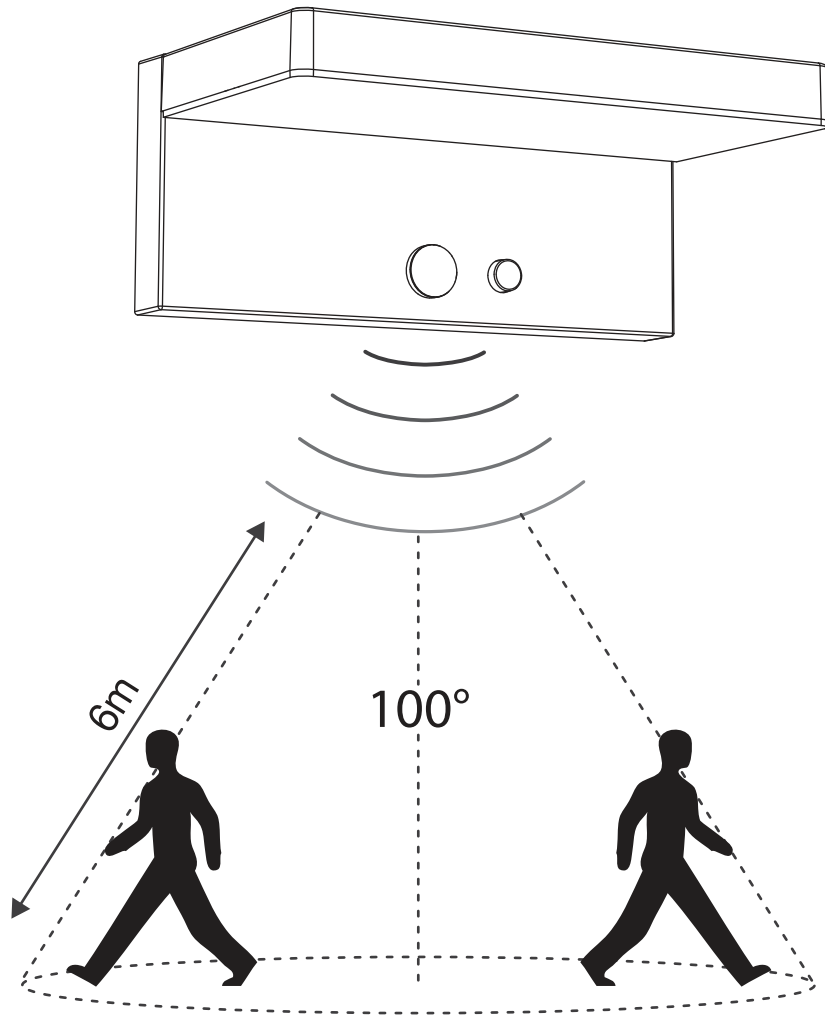




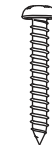
SO1911AW



X1



X2

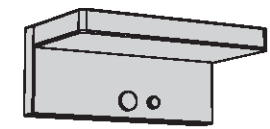
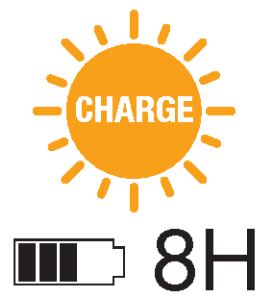
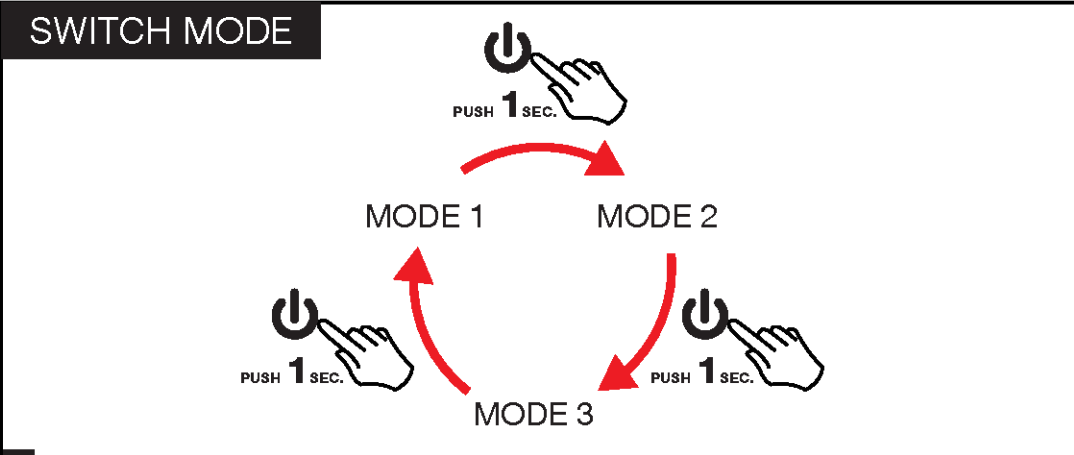
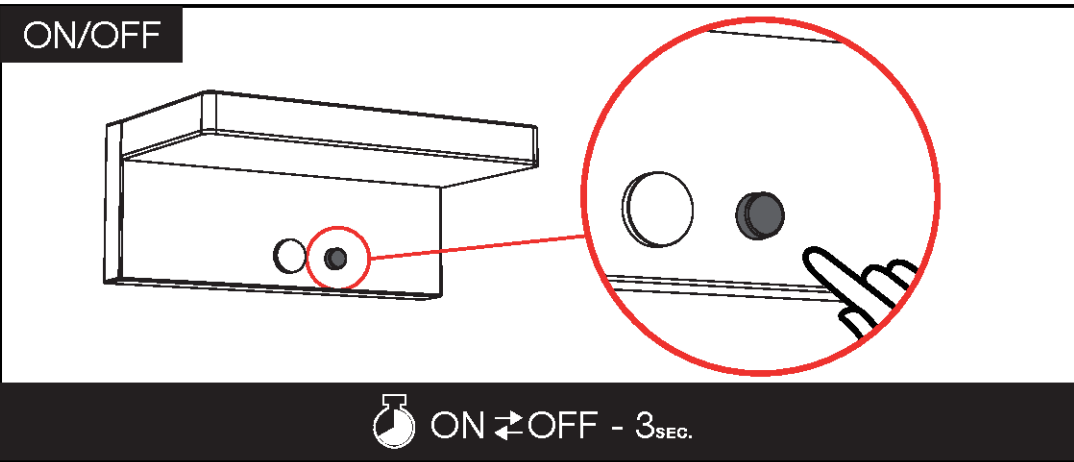
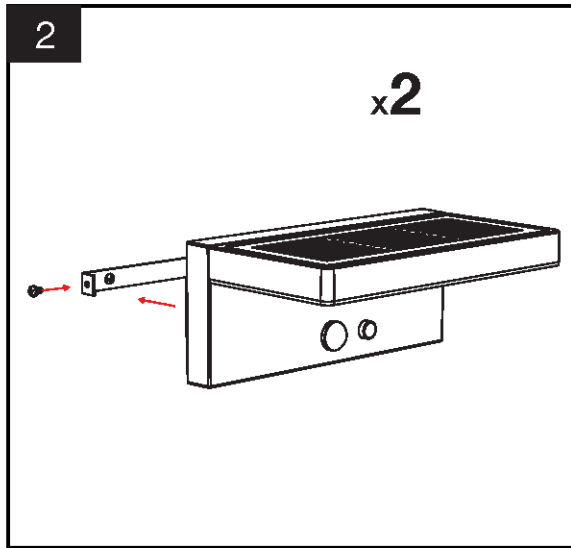
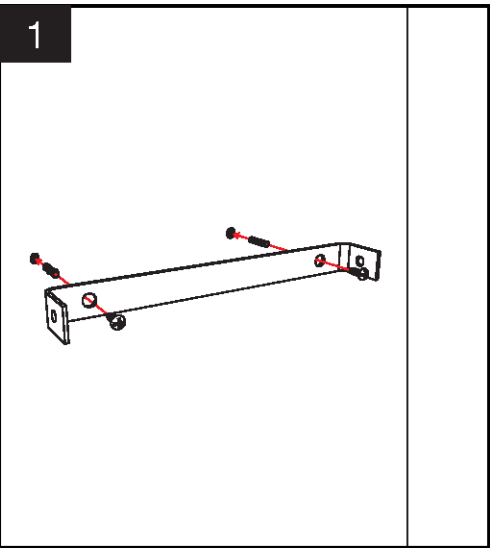


X2

40/160/400lm



1x18650 Li-ion
3.7V 2200mAh



MODE.1

40 LUMENS

15 H. MAX

MODE.2

40 LUMENS
15H. max

160 LUMENS

25SEC. X 576 times

100°

6m

MODE.3

0 lumen

400 LUMENS

25SEC. X 216 times

100°

6m