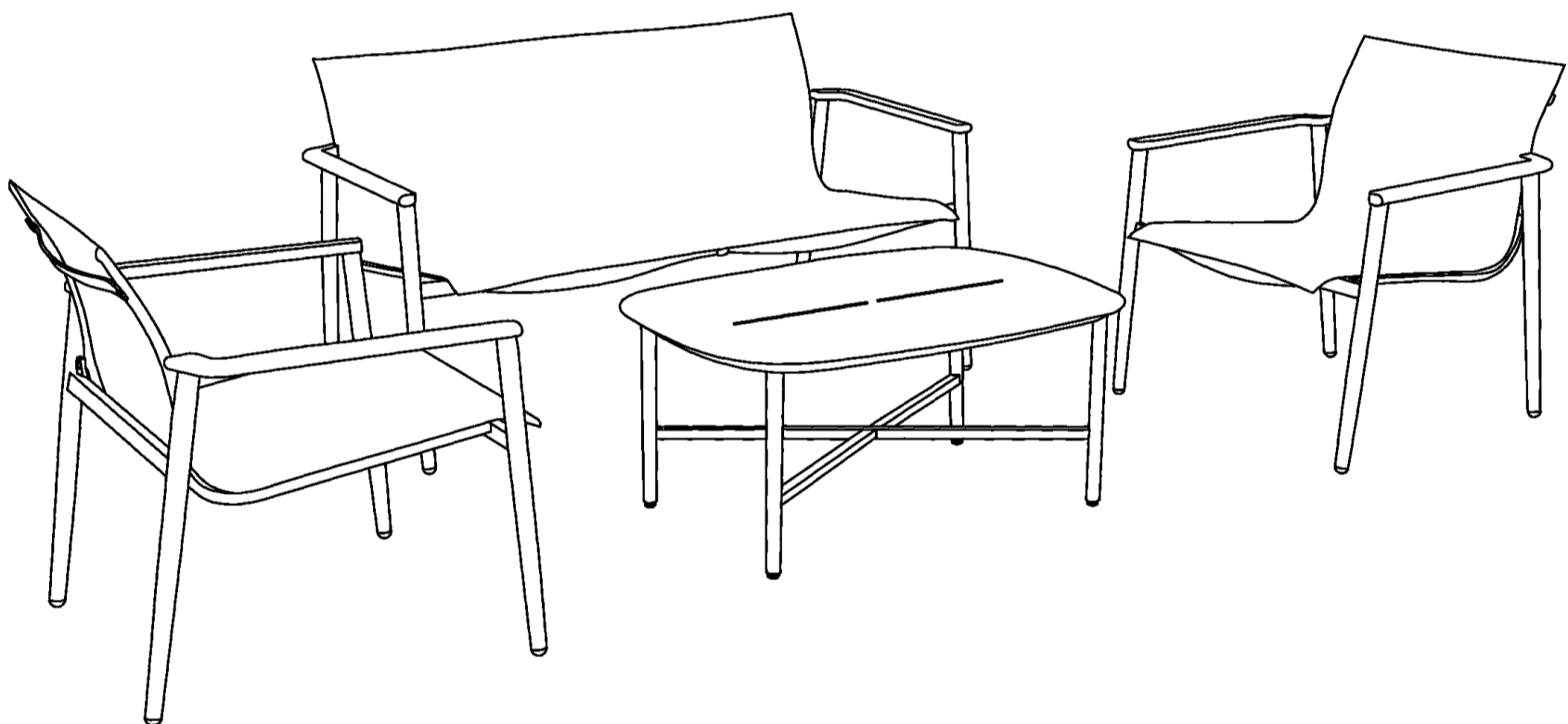


FCM50433B+2*FCM50434B+FTA50600

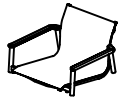
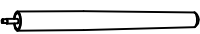
1116226

2000011162269

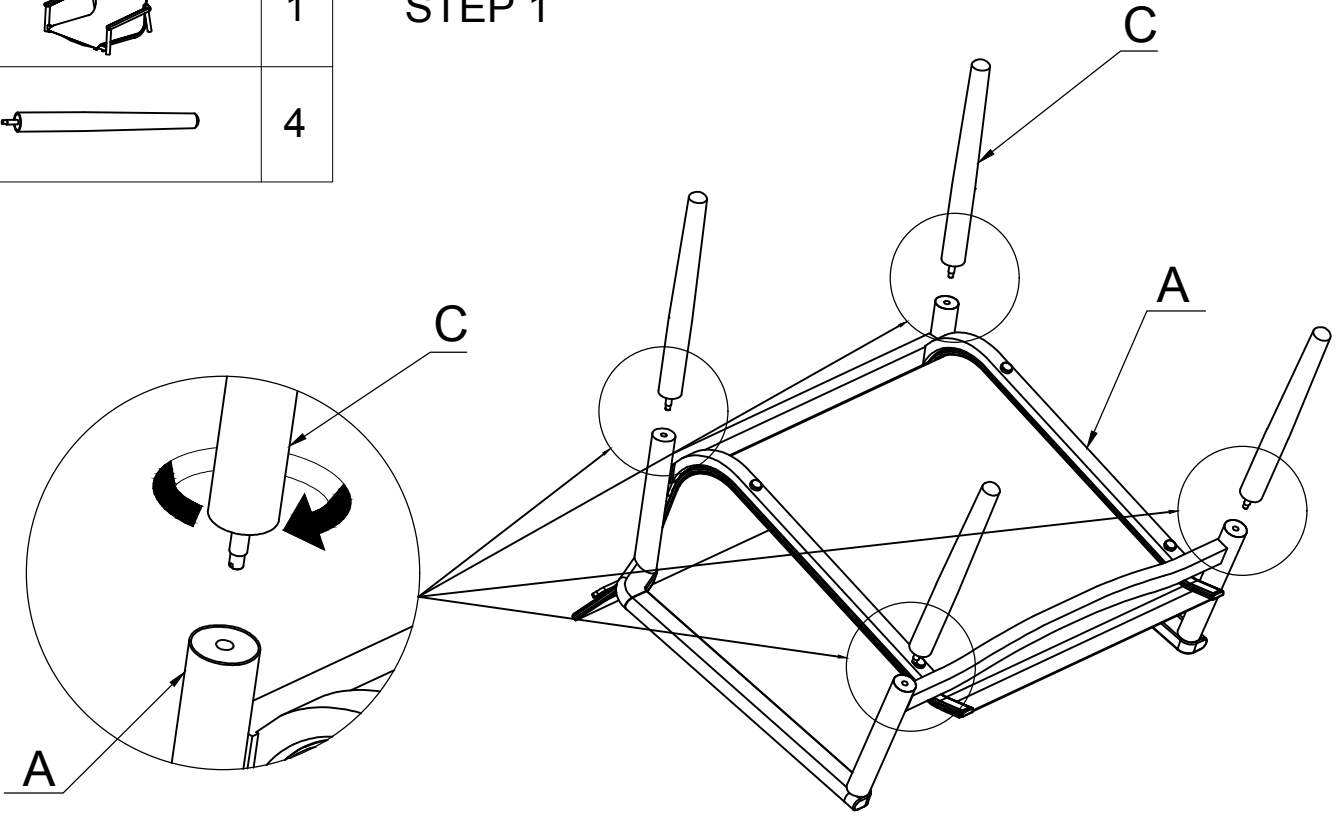


FCM50433B*2PCS

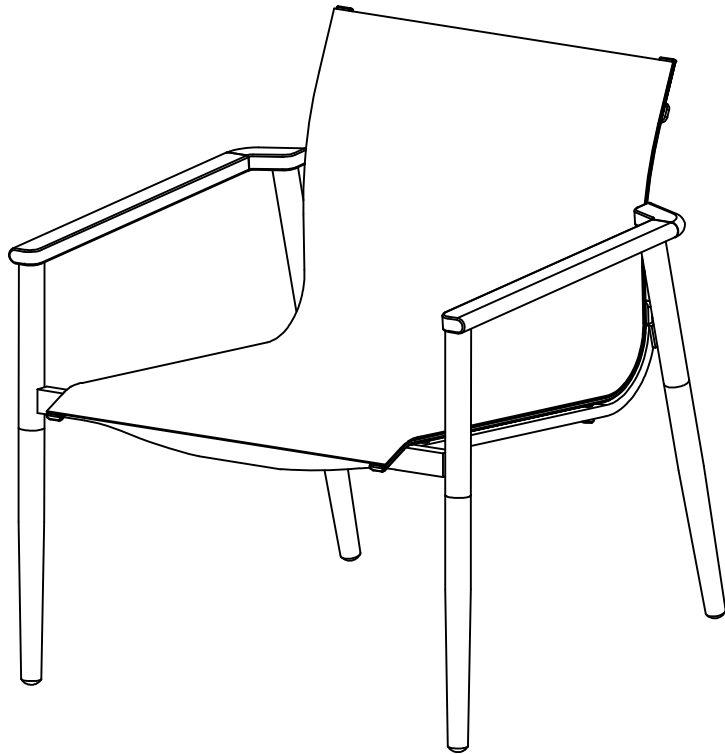
BRIGHTON
DEPUIS 1998

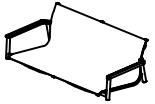
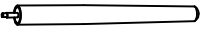
A		1
C		4

STEP 1

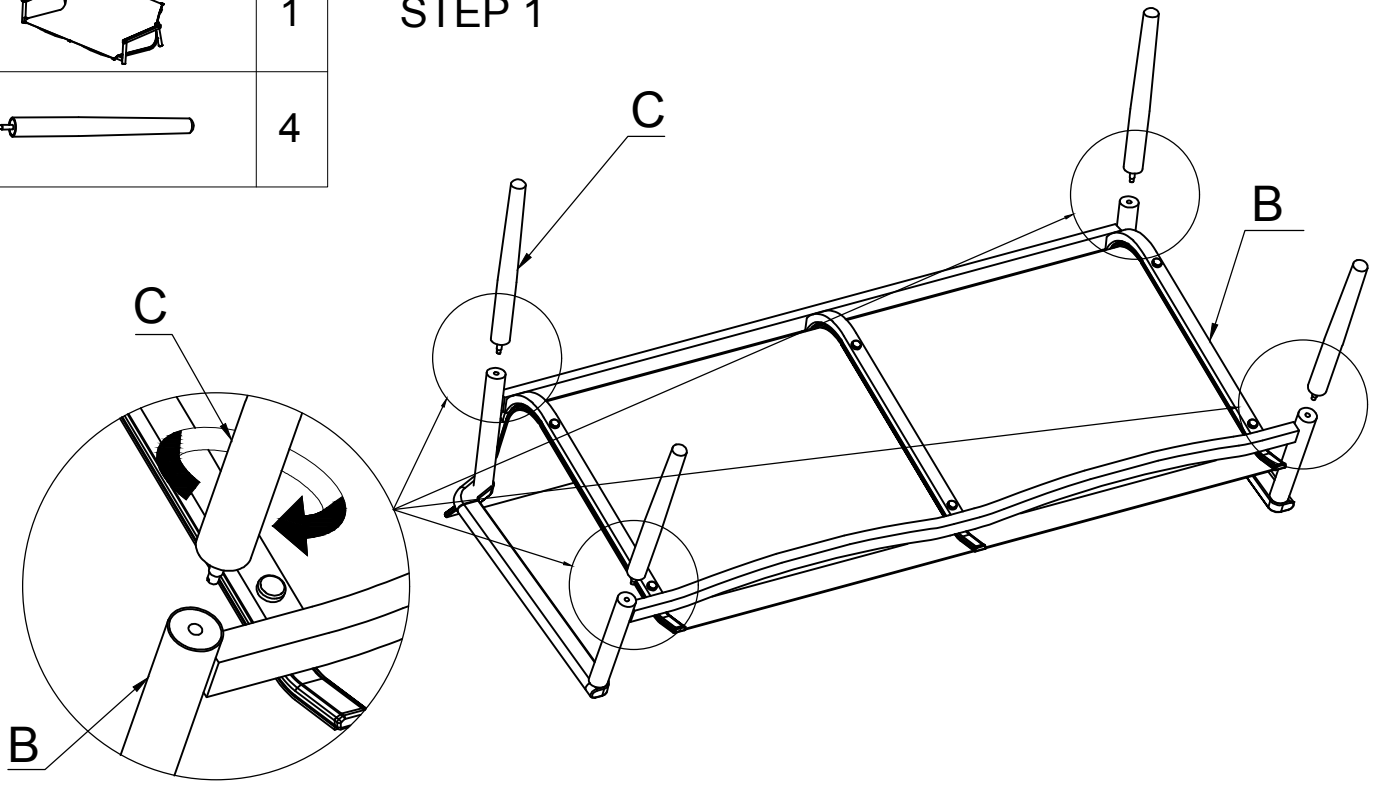


STEP 2

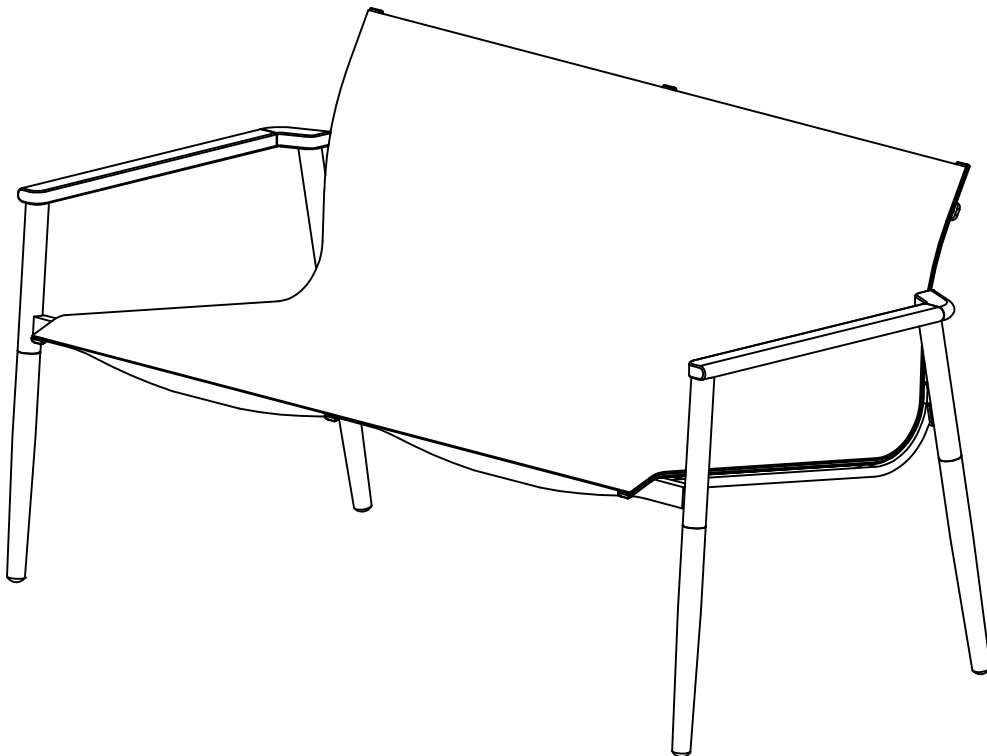


B		1
C		4


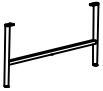
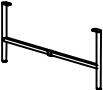
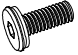



STEP 1



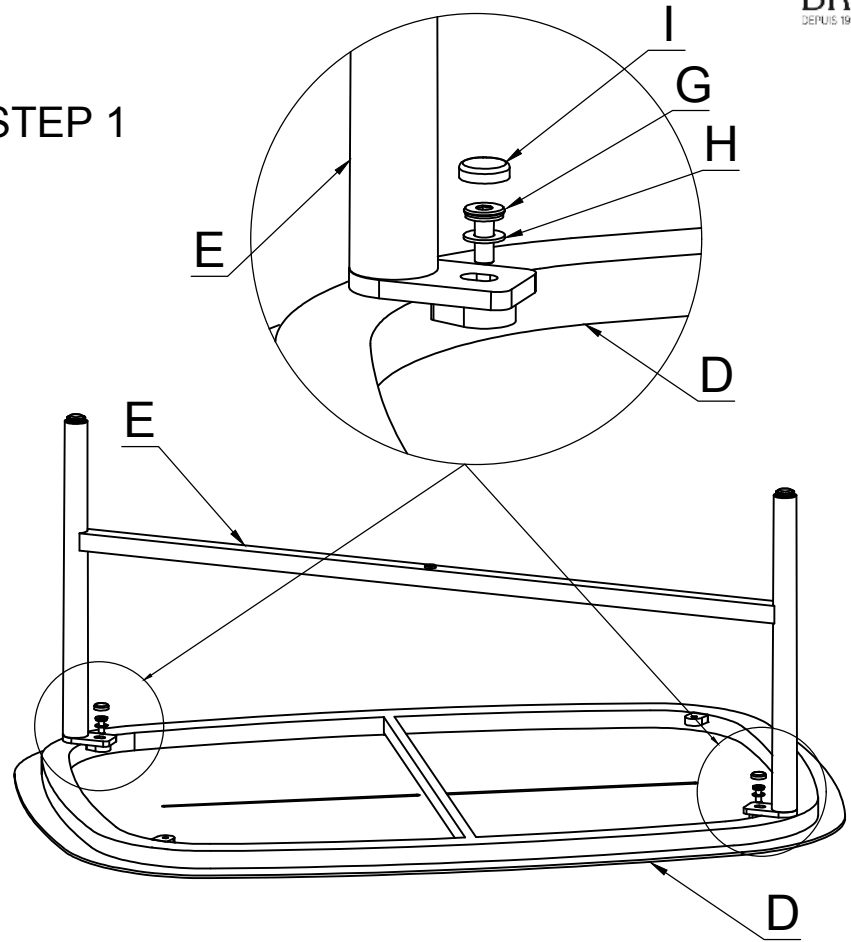
STEP 2



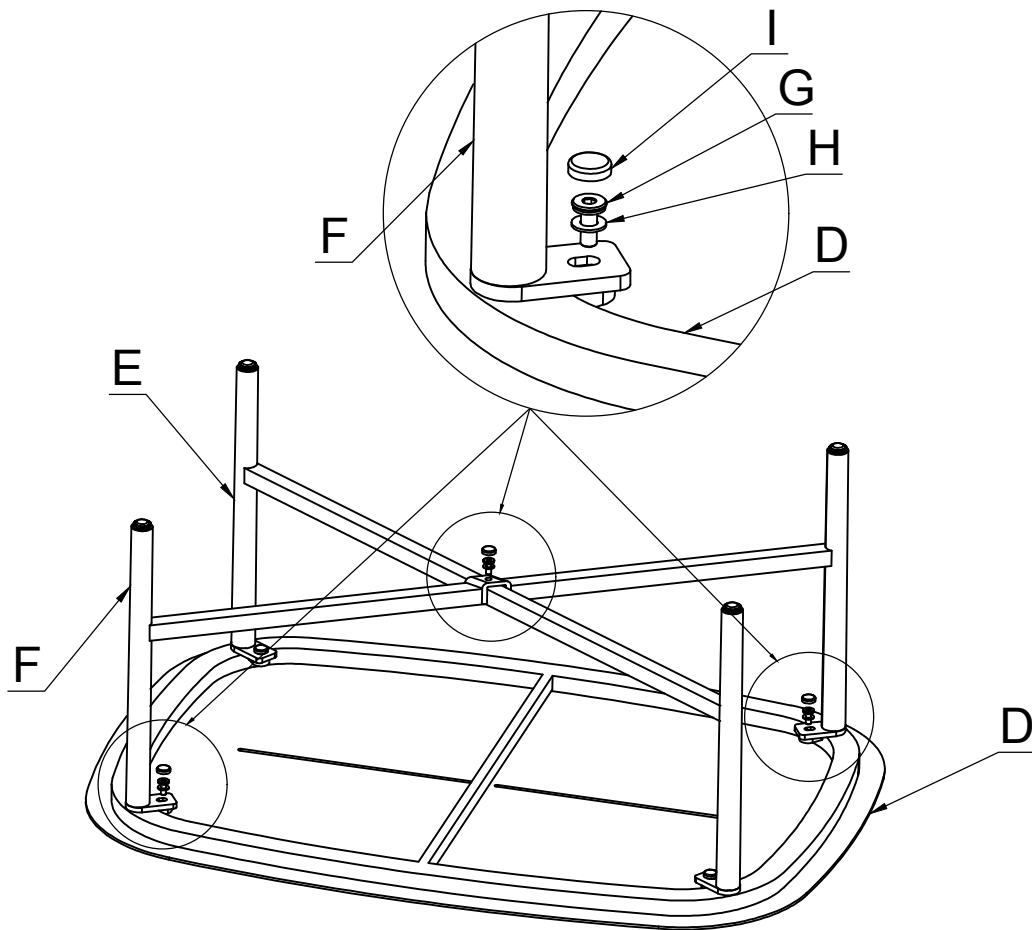
FTA50600

D		1
E		1
F		1
G	 M6x15mm	5
H	 Ø13*Ø6.5*1.0mm	5
I		5
J		1

STEP 1



STEP 2



STEP 3

